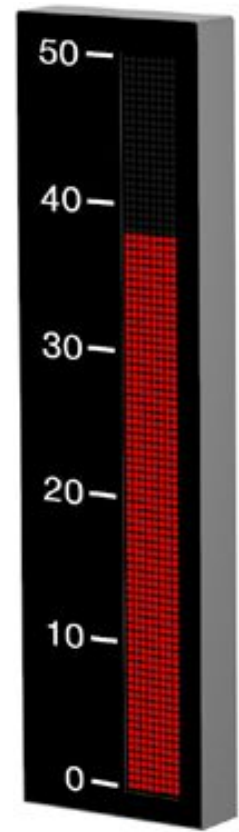


BGA - BARGRAPH WITH ANALOG/DIGITAL-CONVERTER

Features <ul style="list-style-type: none"> • Maintenance-free LED-display, ready to connect • Available in two pixel sizes • Colour red • Adjustable measuring area • Cyclic actualizing of measuring values • Integrated power supply • Case protection class IP 54 • WIBOND standard polishing 	Options <ul style="list-style-type: none"> • More sides • More lines • Custom case design • Adjustable mounting angle • Case finish in any RAL-colour • Case design (aluminium, stainless steel or other materials) • Case protection class IP 65 • Case design for Ex-area • Individual mounting possibilities • Ultra Bright LED's for areas with high ambient light • Wide temperature range • Power supply 24VDC \pm 20% • Representation of up to 4 values in one display
Advantages <ul style="list-style-type: none"> • Good readability, also at greater distances, through light-intensive display modules • Long-life display modules • Wide reading angle • Linear scaling • Free divisioning of the display area • Low power input • All connections accessible from the outside • Fast update time • Power supply with wide range input • Industrial construction 	Application examples <ul style="list-style-type: none"> • Production data (e.g. plan-, actual-, trend-representation) • Control of measuring values (e.g. fill factor display, pressure, temperature) • Traffic information (e.g. truck or car weighing)

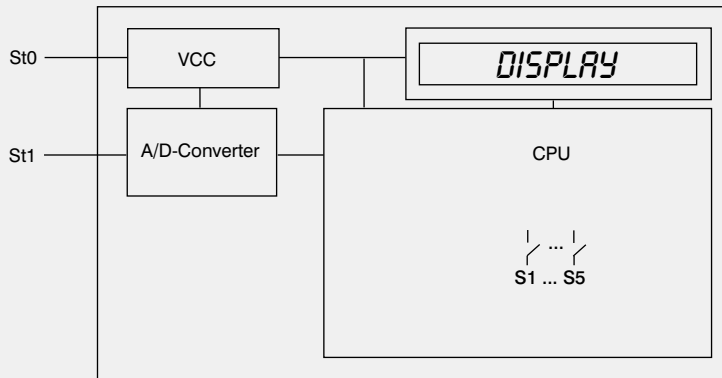


Technical Data

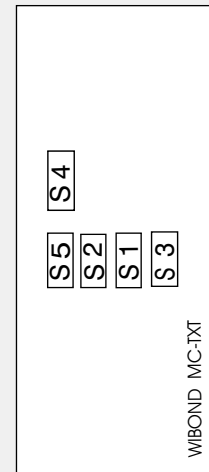
	Standard Resolution	High Resolution
Maximum bar width	60, 120 mm	35, 70 mm
Reading distance	approx. 25 m with 60 mm bar width approx. 50 m with 120 mm bar width	approx. 15 m with 35 mm bar width approx. 30 m with 70 mm bar width
Display area	max. 120 x 1950 mm	max. 70 x 1220 mm
Pixel diameter	5 mm	3 mm
Pixel pitch	7,62 mm	4,76 mm
Resolution	max. 16 x 256 pixels	
Reading angle	\pm 75°	
Colour	red	
Operating voltage	100...240VAC / 50...60Hz	
Measuring sizes	direct current, direct voltage	
Measuring areas	0-10 VDC, 0-20mADC, 4-20mADC	
Input resistance (voltage measuring area)	> 100 kOhm	
Input resistance (power measuring area)	100 Ohm	
Case design	one- or two sided	
Case material	sheet steel	
Case mounting	wall mounting or suspended	
Case colour	RAL 7015 (slate-gray)	
Case protection class IP 54	DIN EN 60529	
Electrical safety	DIN EN 60950	
Radiated interference	DIN EN 50081	
Interference immunity	DIN EN 50082	
Plexiglas	anti-reflection coated	
Temperature area	0 ... +50 °C	
Relative humidity	0 ... 90 % not condensed	

BGA - BARGRAPH WITH ANALOG/DIGITAL-CONVERTER

Block diagram



Position of switches



Adjustment

Interface S1								S2							
1	2	3	4	5	6	7	8	1	2	3	4	5	6	7	8
OFF	OFF	OFF	OFF	OFF	OFF	OFF	OFF	OFF	OFF	OFF	OFF	OFF	OFF	ON	OFF

Do not change!

Device address S3						address
1	2	3	4	5	6	
(2 ⁰)	(2 ¹)	(2 ²)	(2 ³)	(2 ⁴)	(2 ⁵)	
OFF	OFF	OFF	OFF	OFF	OFF	"0" (30h)*

Do not change!

Interface parameter S4						
4	5	6	7	Data bit	Parity	Stop bit
OFF	OFF	OFF	OFF	8*	keine*	1*

Do not change!

Baud rate S4			
1	2	3	Baud
ON	ON	OFF	9600*

Do not change!

Answer-echo operation S5		
5	6	
OFF	ON	Answer operation*

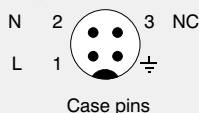
Do not change!

Pin assignment

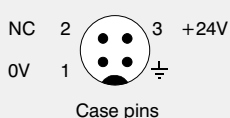
Power supply St0

Type of cable:
at 230VAC: Connecting cable (e.g LAPP-cable Ölflex CLASSIC 100 3x1,5mm²)
at 24VDC: Connecting cable (e.g LAPP-cable Ölflex CLASSIC 100 3x1,5mm²)

Power supply: 230VAC



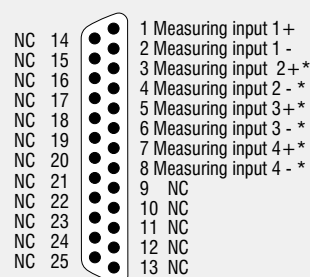
Power supply: 24VDC (option)



Attention: Disconnect plug before opening!
Display may only be opened and connected by trained service personnel!!

Measuring input St1

Type of cable:
Data cable with Cu - screening braid (e.g. LAPP-cable Type UNITRONIC 100YC from 0,14mm²)
Shield has to be connected to the plug housing!



*Option